

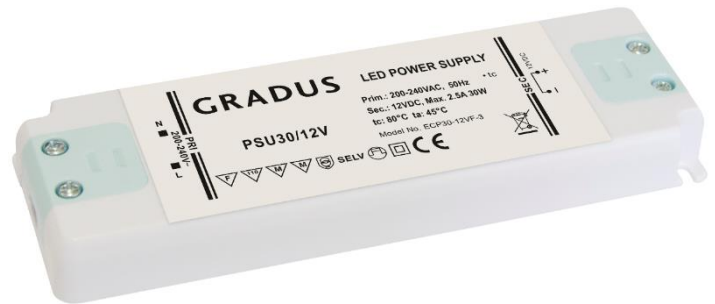
Lighting Specification

30W Low Profile cv LED Driver with PFC PSU30/12V

Data Sheet: Page 1 of 2 SM/SB 13/11/2018

Features

- Input voltage: 200 – 240Vac
- Input frequency: 50/60Hz
- Output power: 37W
- Built-in PFC function (≥ 0.9)
- Low profile and light-weight plastic case
- Working temperature: -20°C to $+45^{\circ}\text{C}$
- Protections: Short circuit/Overload/Over temp
- 1 year warranty



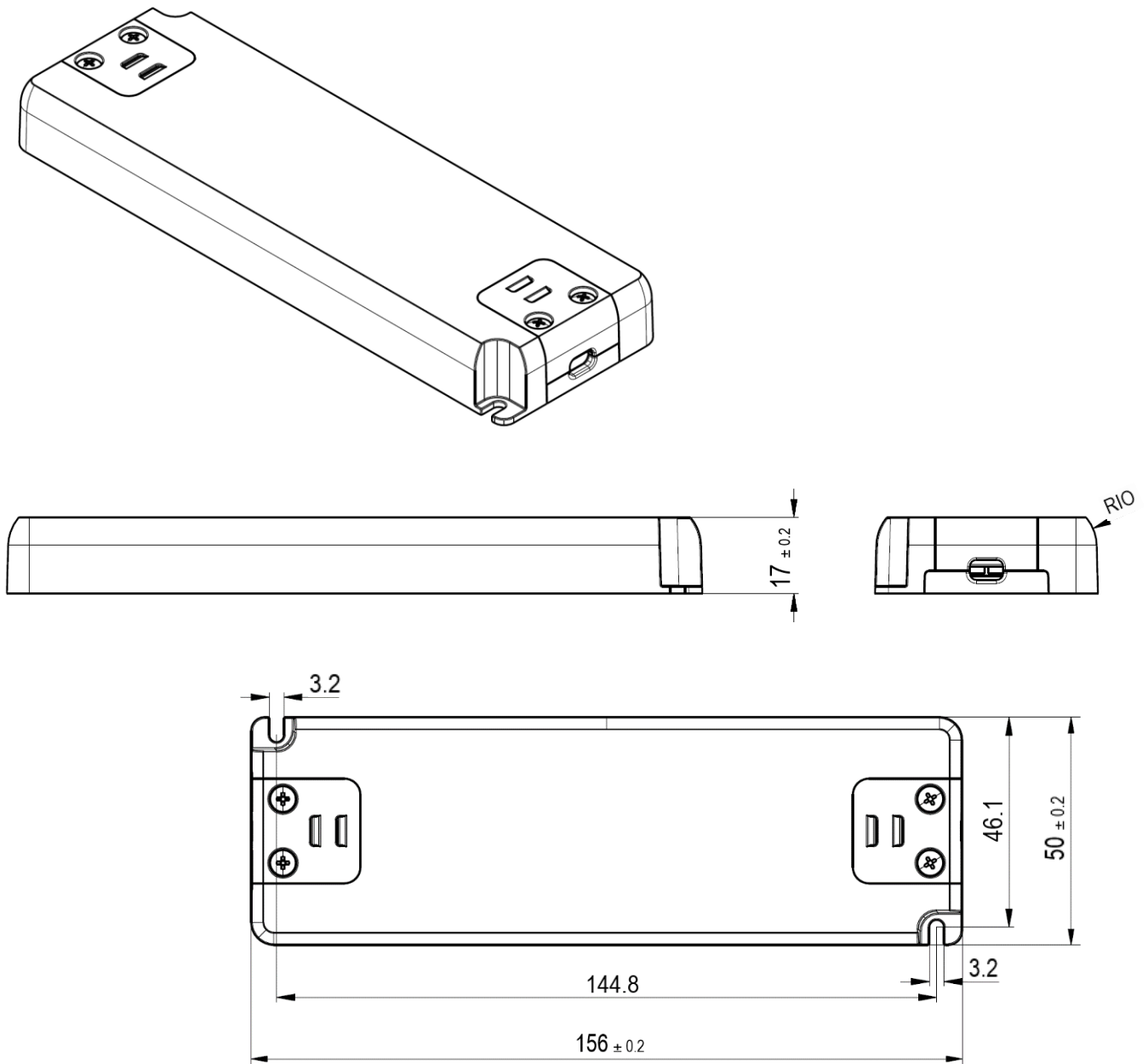
| Model | PSU30/12V | |
|-------------------------|---------------------------|--|
| Output | Rated Voltage | 12V |
| | Voltage Accuracy | $\pm 5\%$ |
| | Current Range | 0 – 2.5A |
| | Rated Power | 30W |
| Input | Voltage Range | 180 – 264VAC |
| | Frequency Range | 50 – 60Hz |
| | Power Factor | ≥ 0.9 |
| | Efficiency | $\geq 85\%$ |
| | Inrush Current (Typ.) | 60A at 230VAC |
| | No Load Power Consumption | $< 0.5\text{W}$ |
| Protection | Short Circuit | Hiccup mode, recovers automatically after fault condition is removed |
| | Overload | $> 110\%$ rated output power Hiccup mode, recovers automatically after fault condition is removed |
| Environment | Working Temperature | -20°C to $+45^{\circ}\text{C}$ |
| | Working Humidity | 45% – 85% |
| Safety & EMC | Safety Standards | EN61347-1; EN61347-2-13 |
| | EMC Emission | EN55015 |
| | EMC Immunity | EN61547; EN61000-3-2 |
| Others | Dimensions | 158 x 51 x 17 mm (L x W x H) |

Lighting Specification

30W Low Profile cv LED Driver with PFC
PSU30/12V

Data Sheet: Page 2 of 2 SM/SB 13/11/2018

Mechanical Specification



Dimensions shown in mm